

Installation instruction HAHN SDD/SDG

Sliding Door Damper (SDD)
Sliding Door Gas Spring (SDG)

Type: SDD 04-12 / SDG 04-12; SDD 06-15; SDD 06-19



General information

Contents

SDD/SDG (incl. housing with mounting lugs for flexible installation)

Preparation

- Check delivered parts for completeness based on the delivery note.
- Check parts for transport damage
- Complete work steps in sequence described in the assembly instructions.

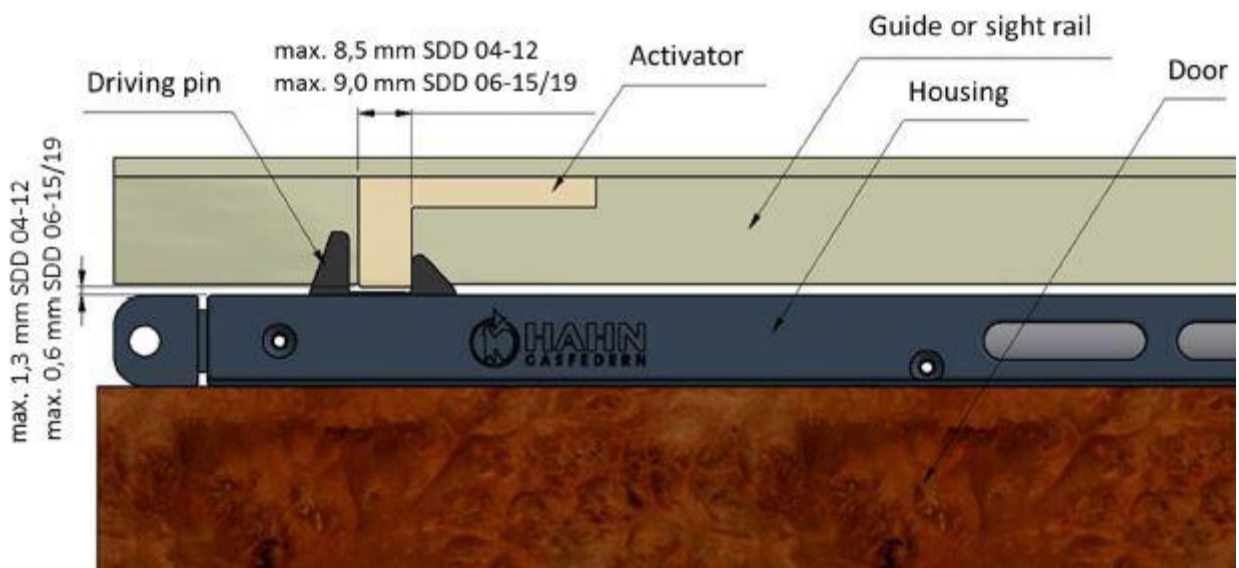
What you need additionally

- Mounting screws with flat head (e.g. DIN 7984 M6):
 Ø 5 mm for SDD 04-12 / SDG 04-12
 Ø 6 mm for SDD 06-15; SDD 06-19; SDD 08-23
- Screwdriver, tightening torque: 3-4 Nm
- Measuring tool

Activator assembled in contact with the surface of the long driving pin.

Activator must have approx. 1mm play to the opposite short pin

Activator must not touch housing.



Technical data

SDD 04-12 / SDG 04-12

Weight und movement speed of the sliding door

SDD/SDG Light:	for 40 kg, with 0,5 m/sec
SDD/SDG Medium:	for 60 kg, with 0,5 m/sec
SDD/SDG Heavy:	for 80 kg, with 0,5 m/sec

Mounting dimensions

a=	287 mm
b=	319 mm
c=	14,5 mm
d=	24,6 mm

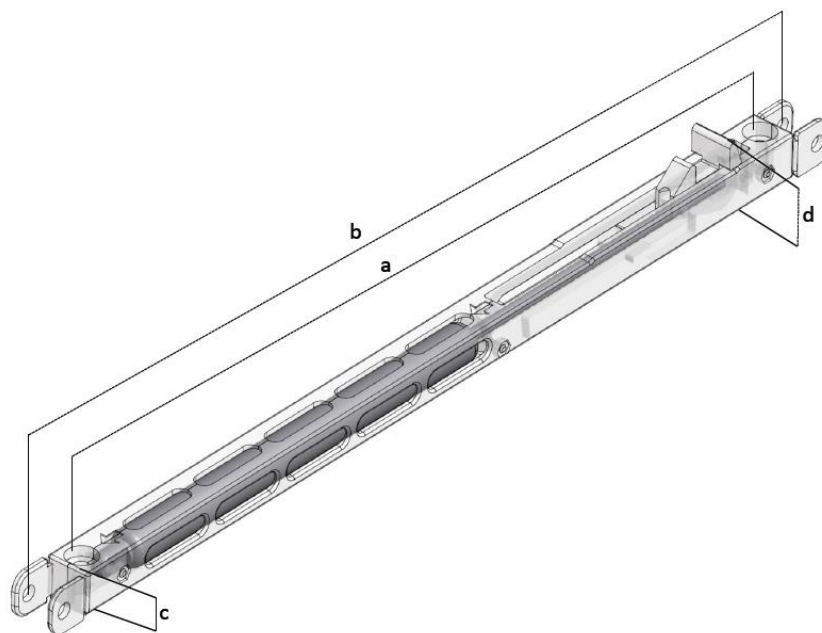
SDD 06-15

Weight und movement speed of the sliding door

SDD Light:	for 100 kg, with 0,3 m/sec
SDD Medium:	for 150 kg, with 0,3 m/sec
SDD Heavy:	for 200 kg, with 0,3 m/sec

Assembly dimensions

a=	423 mm
b=	463 mm
c=	24,0 mm
d=	32,1mm



Technical data

SDD 06-19

Weight und movement speed of the sliding door

SDD Light: for 250 kg, with 0,3 m/sec

SDD Medium: for 300 kg, with 0,3 m/sec

SDD Heavy: for 400 kg, with 0,3 m/sec

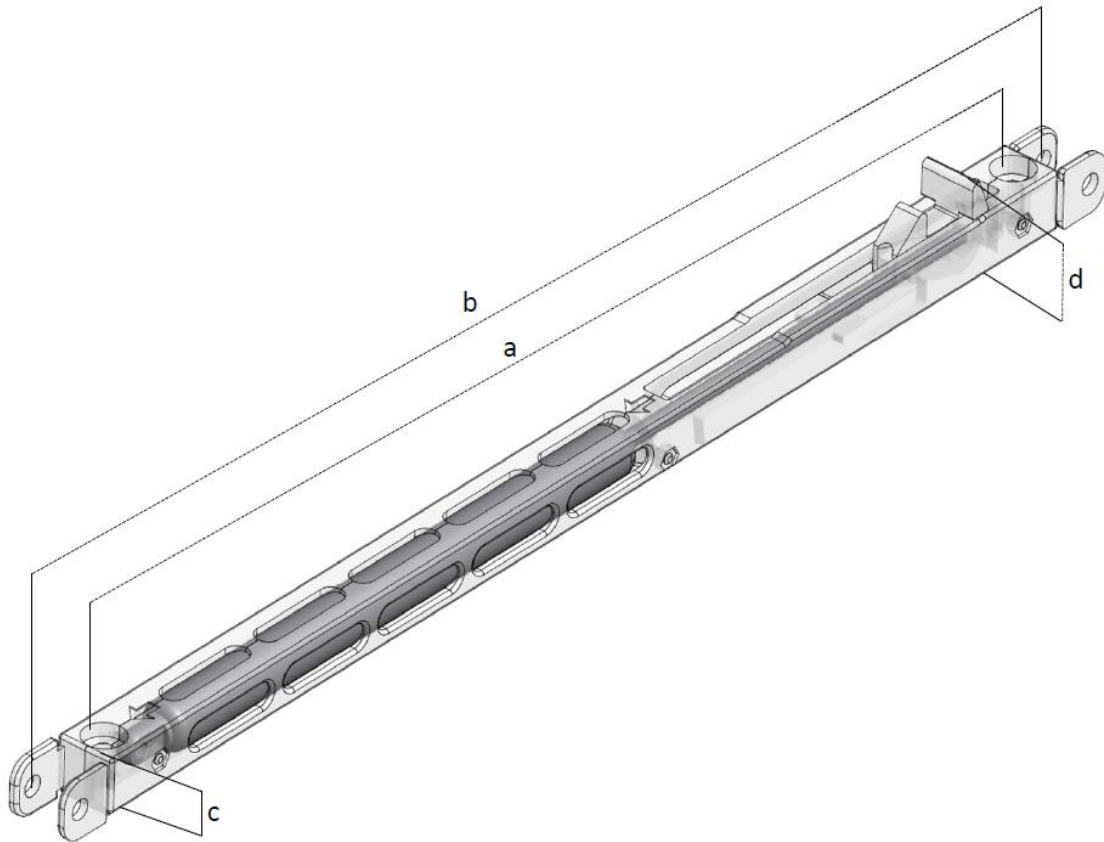
Assembly dimensions

a= 423 mm

b= 463 mm

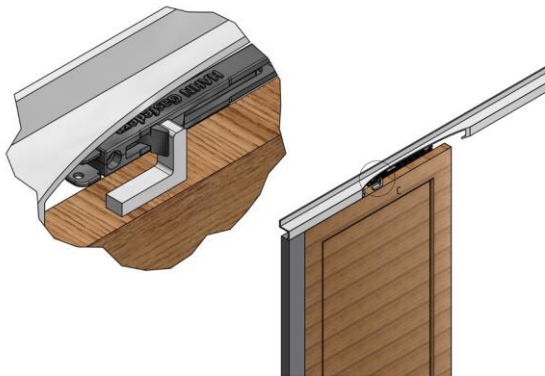
c= 24 mm

d= 32,1 mm

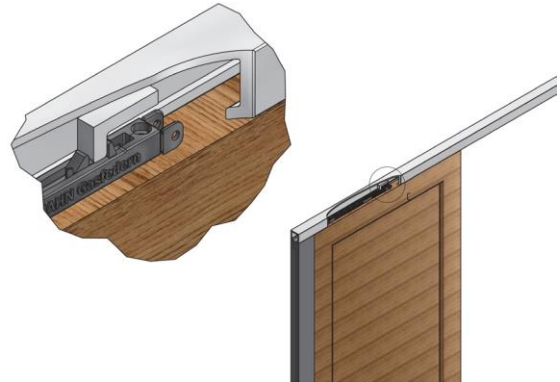


Mounting options

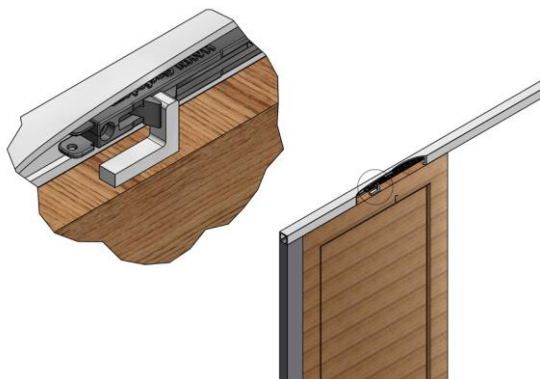
1. SDD/SDG wall mounting



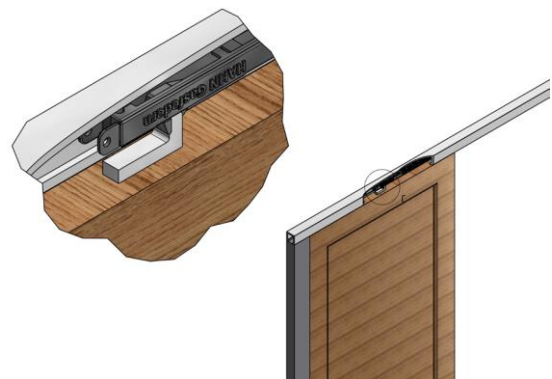
2. SDD/SDG mounted on the door



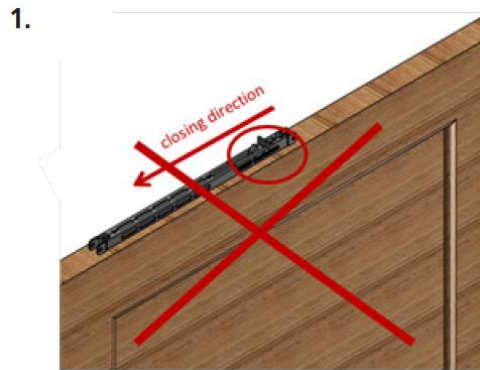
3. SDD/SDG mounted on the side of the profile



4. SDD/SDG on top of the profile

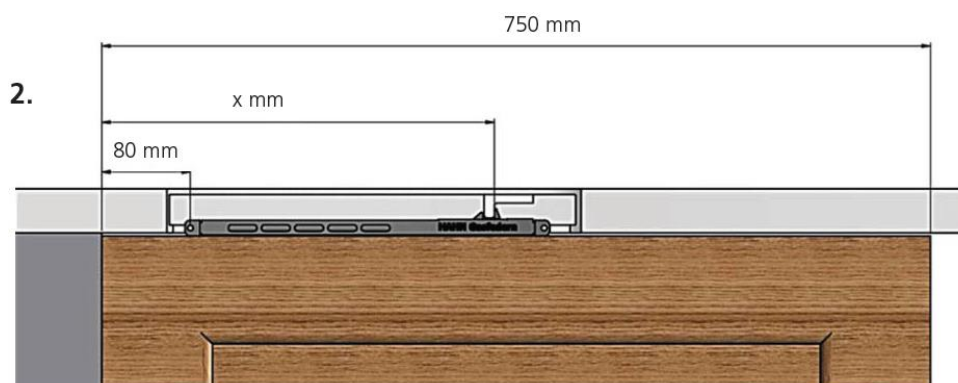


Installation instructions



Attention!

To avoid damage, the driving pin must be locked before assembly or installation.



SDD/SDG 04-12

x = 365 mm

SDD 06-15

SDD 06-19

x = 502 mm

Positioning of the SDD / SDG:



Assembly through housing hole:

Tightening torque: 3 – 4 Nm

See mounting options 1, 2, 3



Assembly through mounting lugs

Tightening torque: 3 – 4 Nm

See mounting option 4

Functional test

Please open and close the door several times (at least 10 times) in a row with moderate speed to ensure the proper operation of the unit.

Attention! To avoid damage, the driving pin must be locked before assembly or installation.

Possible malfunction sources

- Attention! The driving pin must be locked before assembly.
- Please check if the activator has suitable length.
- Please check if the activator is correctly positioned.
- SDD cannot be installed as an end stop.

Do you have any questions or requests? We are happy to help you.

Our company address is:

HAHN Gasfedern GmbH
Waldstraße 39-43
73773 Aichwald
Germany
E-Mail: info@hahn-gasfedern.de

You can reach our central customer service at
Tel.: +49 711-936705-0

Visit our website:
www.hahn-gasfedern.de